



Application Areas

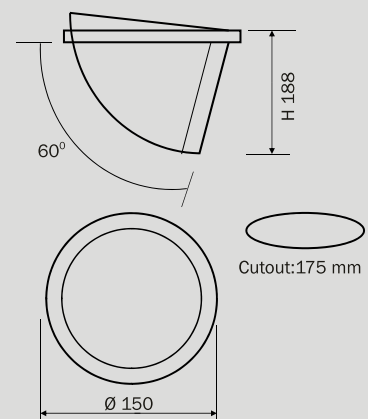


- Lifestyle stores ■ Electronic showrooms
- Hotel Reception & Lobby area

LED Recess mounted adjustable down light with die cast aluminium housing and external LED driver suitable for 20W, 25W, 30W LED chip, choice of 24 degree and 50 degree beam angle

Cat. Ref.:	Wattage		
LR- RAD -20-NDL-24D	20 W	LR- RAD -25-NDL -50D	25 W
LR- RAD -20-WW-24D	20 W	LR- RAD -25-WW -50D	25 W
LR- RAD -20-NDL -50D	20 W	LR- RAD -30-NDL-24D	30 W
LR- RAD -20-WW -50D	20 W	LR- RAD -30-WW-24D	30 W
LR- RAD -25-NDL-24D	25 W	LR- RAD -30-NDL -50D	30 W
LR- RAD -25-WW-24D	25 W	LR- RAD -30-WW -50D	30 W



Dimensions



Product Specifications

Parameters	Description
System wattage	20W, 25W, 30W
Beam Angle	24 & 50 Degree
Housing	Die Cast aluminium
Mounting	Recess Mounted
Colour Temperature	3000K, 4000K
CRI	>80
Life	40,000 Burning hours

Merits of LED

High Efficiency	 Energy Cost Saving	Up to 50% energy saving
Long Life	 Maintenance Cost	Low Maintenance Cost
Eco-Friendly	 CO₂ Reduction	Mercury free

**Note: Based on the design requirement, pay-back calculations can be provided

Crompton Greaves Limited

Lighting Division : Kanjurmarg (East), Mumbai-400 042, (Maharashtra) India.
T: +91-22-67558506, 67558536, 67558000. F: +91-22-25787283 | E: lighting@cgglobal.com



3 times more life compared to conventional HID/FTL/CFL solution