

Cat ref	Wattage
LSCSM-6W-CDL/NW/WW	6 W
LSCSM-12W-CDL/NW/WW	12 W
LSCSM-15W-CDL/NW/WW	15 W
LSCSM-18W-CDL/NW/WW	18 W

LED Panel

Application Areas



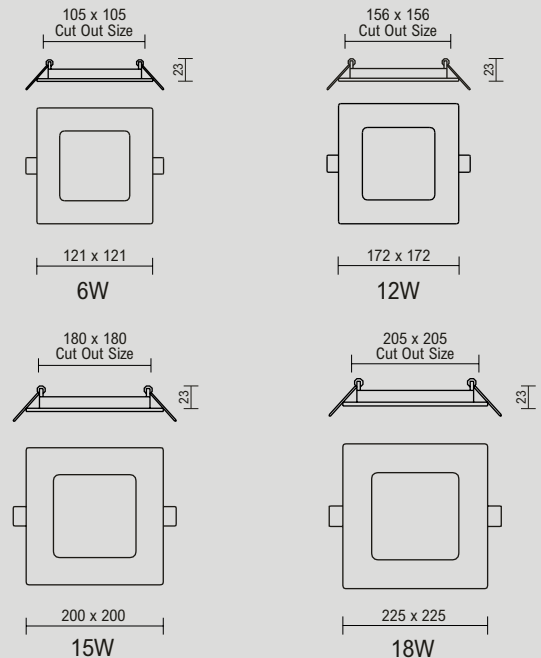
■ Offices ■ Retail shops ■ Auditoriums

Square shape PEARL LED HPF flat panel comprises of aluminum die cast housing finished in white powder coated. The flat panel is pre-wired with high efficiency electronic driver. High translucent frosted PMMA diffuser is used to get glare free, smooth light distribution. This luminaire is recommended for recessed mounting applications in general offices, institutions, retail shops, auditorium, & other commercial interiors replacing a traditional CFL downlighter.

Product Specifications

Parameters	Description
System wattage	6/12/15/18 W
System lumen	350/701/1053/1200 lumens
Power factor	>0.9
Housing	Aluminum die cast
Diffuser	PMMA
CCT	CDL-6500 ,NW-4000 ,WW-2700 K
IP	20

Dimensions



Merits of LED Panel

High Efficiency



Energy Cost Saving

Up to 50% energy saving

Long Life



Maintenance Cost

Low Maintenance Cost

Eco-Friendly



CO₂ Reduction

Mercury free

**Note: Based on the design requirement, pay-back calculations can be provided

Crompton Greaves Limited

Lighting Division : Kanjurmarg (East), Mumbai-400 042, (Maharashtra) India.
T: +91-22-67558506, 67558536, 67558000. F: +91-22-25787283 | E: lighting@cgglobal.com



3 times more life compared to conventional HID/FTL/CFL solution