

HERCULES II

gen//LED
Innovative Technological Revolution

G
Smart solutions.
Strong relationships.



LED Floodlight

Application Areas



- Facade
- Highmast Lighting
- Monument Lighting
- Hoarding
- Area Lighting
- Sport Areas
- Stadiums

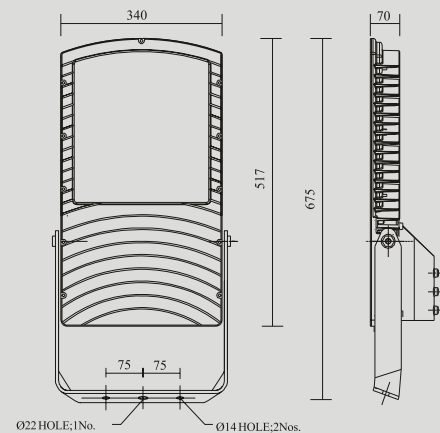
Cat. Ref.:	Wattage	Cat. Ref.:	Wattage
LSFO-72-CDL	72 W	LSFO-120-CDL	120 W
LSFO-90-CDL	90 W	LSFO-135-CDL	135 W

Floodlight luminaire comprises of die cast aluminum housing and toughened glass. Luminaire is recommended for illuminating Area lighting, Facade lighting, monument lighting, security lighting etc.

Product Specifications

Parameters	Description
System wattage	72/90/120/135 W
System efficacy	85 lm/w
IP Protection	IP 66, Class I
Housing	PDC
Mounting	Bracket
THD	<10%
Power Factor	>0.95
Surge	Upto 5 KV
Colour Temperature	5700 K ± 300 K
CRI	>70
Life	50,000 Burning hours

Dimensions



Merits of LED Floodlight

High Efficiency



Energy Cost Saving

Up to 50% energy saving

Long Life



Maintenance Cost

Low Maintenance Cost

Eco-Friendly



CO₂ Reduction

Mercury free

**Note: Based on the design requirement, pay-back calculations can be provided

Crompton Greaves Limited

Lighting Division : Kanjurmarg (East), Mumbai-400 042, (Maharashtra) India.
T: +91-22-67558506, 67558536, 67558000. F: +91-22-25787283 | E: lighting@cgglobal.com



3 times more life compared to conventional HID/FTL/CFL solution