



Application Areas



- Lifestyle stores
- Electronic showrooms
- Hotel Reception & Lobby area

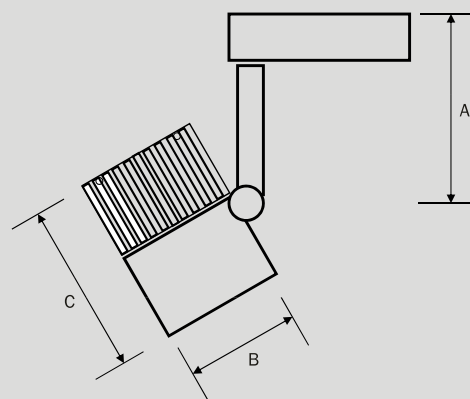
LED Track light with technically designed horizontal control gear with die cast aluminium housing suitable for 20W, 30W LED chip, choice of 24 degree and 50 degree beam angle

Cat. Ref.:		Wattage	
LR-TLHG-20-NDL-24D	20 W	LR-TLHG-30-NDL-24D	30 W
LR-TLHG-20-WW-24D	20 W	LR-TLHG-30-WW-24D	30 W
LR-TLHG-20-NDL-50D	20 W	LR-TLHG-30-NDL-50D	30 W
LR-TLHG-20-WW-50D	20 W	LR-TLHG-30-WW-50D	30 W

Dimensions			
Wattage	A	B	C
20	210	100	150
30	285	115	197.5

Product Specifications

Parameters	Description
System wattage	20W, 30W
Beam Angle	24 & 50 Degree
Housing	Die Cast aluminium
Mounting	Recess Mounted
Colour Temperature	3000K, 4000K
CRI	>80
Life	40,000 Burning hours



Merits of LED

High Efficiency	Energy Cost Saving	Up to 50% energy saving
Long Life	Maintenance Cost	Low Maintenance Cost
Eco-Friendly	CO₂ Reduction	Mercury free

**Note: Based on the design requirement, pay-back calculations can be provided

Crompton Greaves Limited

Lighting Division : Kanjurmarg (East), Mumbai-400 042, (Maharashtra) India.
T: +91-22-67558506, 67558536, 67558000. F: +91-22-25787283 | E: lighting@cgglobal.com



3 times more life compared to conventional HID/FTL/CFL solution